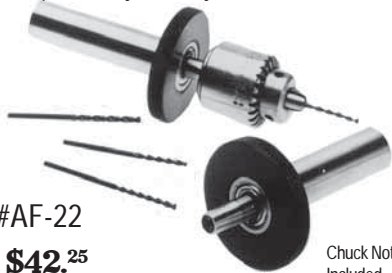


ACCU-FEED

DRILL ADAPTER

- NO MORE BROKEN DRILLS
- SAVE MONEY - SAVE TIME
- Hardened and ground - .0008 T.I.R.
- Excellent on large machinery where sensitive feed is necessary
- Finger tip control - smooth action means less drill breakage
- Double shielded bearings
- Hardened drive pin instead of weak "C" clip style
- "O" taper fits keyed or keyless chucks



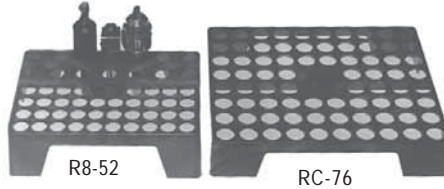
#AF-22

\$42.²⁵

Chuck Not Included

COLLET RACKS

- INNOVATIVE DESIGN
- HOLDS MORE ON (1) RACK
- NO MORE RUINED COLLETS
- MADE FROM HI-IMPACT PLASTIC



- Holds 14 larger tool holders
- Holds full set and emergency collets
- Angled seat area more secure hold

#R8-52

\$28.⁷⁵

- Holds 76 collets, (1) full set and 14 specials & emergency collets
- Angled seat area

#5C-76

\$29.⁸⁹

RIP FLYCUTTERS

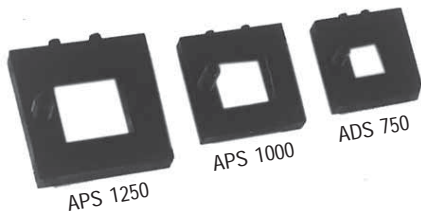
- VIBRA CORE[®] DESIGN
- 1/2 TOOL BIT CAPACITY
- Uses larger 1/2 and 3/8 tool bits for larger cuts - saves time
- Larger 1/4 - 20 set screws
- Heat treated and balanced
- Sizes: 1-1/2 dia. and 2-1/2 dia.



MODEL	DESCRIPTION	PRICE
FC-1.5	1-1/2" dia. for 3/8" Tool Bit	\$34.28
FC-2.0	2" dia. for 3/8" Tool Bit	38.53
FC-2.5	2-1/2" dia. for 1/2" Tool Bit	41.66
FC-3S	3PC. Set in wood stand	105.24

ARBOR PRESS STOP

Also designed by Sierra is a bolt-on adjustable hard stop (as shown) for most Arbor presses. The stop slips over the square arbor shaft and is locked securely in place with two set screws that fit into grooved side of square. Sizes to fit 3/4" - 1" - 1-1/4" squares shafts



FINE ADJUSTMENT SCREW WITH LOCK

LOCKING SETSCREWS (2)

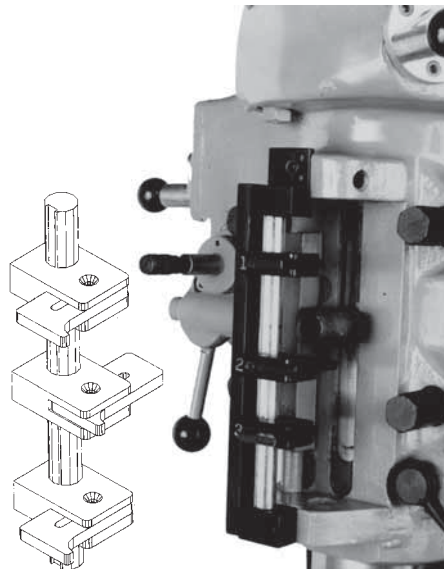
ARBOR PRESS STOP, FINE ADJUSTABLE

MODEL	MAX. ARBOR SHAFT	PRICE
APS-750	3/4" x 3/4"	\$10.95
APS-1000	1" x 1"	12.85
APS-1250	1-1/4" x 1-1/4"	13.20

SIERRA MULTI-STOP™

MANUAL HARD STOP

- Cuts costs dramatically
- C'drill, drill, multiple milling operations without removing work piece
- Slide in to set stop - pull back to clear - slide in next setting
- Excellent for quick change set-up systems
- Will not interfere with Factory automatic feed/stop unit
- NOT to be used with automatic feed



#SMS
\$139.⁹⁵

REACH ARBORS

GENERAL PURPOSE
SLITTING/SAW APPLICATIONS

- VIBRA CORE[®] DESIGN
- LOWEST PROFILE CAPS



- most accurate general purpose arbor
- Hardened and ground
- Deep sleeve design gives extra support and less cutter slippage
- Lowest profile caps longer reach - out performs, standard stub arbors
- Weldon shanks
- Wooden stand with sets.

MODEL	BLADE HOLE DIA.	SHANK	PRICE
SA-250	1/4"	1/2"	\$35.12
SA-375	3/8"	1/2"	36.79
SA-500	1/2"	1/2"	38.42
SA-3S	3PC. set in wood stand		98.82

SA-625	5/8"	3/4"	42.30
SA-1000	1"	3/4"	48.70
SA-1250	1-1/4"	3/4"	49.66
SA-3L	3PC. set in wood stand		120.66