



**ONE TOUCH**

# FITTINGS

## PLASTIC HOSE & FITTINGS

The "Release Button" is depressed and engages a chuck to separate the "seal" from the tubing.

At the same time, a "collet" releases pressure on the rear of the "seal" allowing the "seal", room to expand. When there is no physical pressure expands the "seal", air pressure expands the "seal" increasing the grip on the tubing.

### NUMEROUS BODY STYLES ARE AVAILABLE

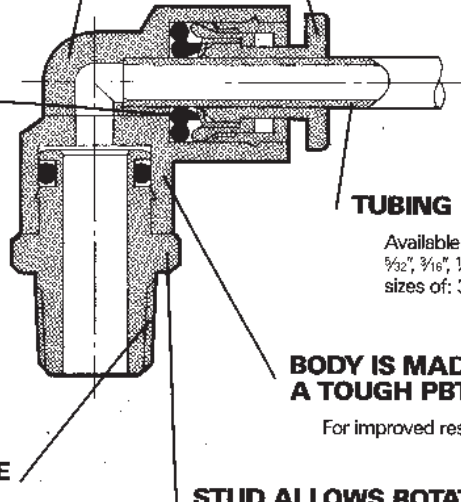
There are elbows, tees, straights, "Y"'s, plug-ins, manifolds, etc.

### RELEASE BUTTON HAS A LOW DISCONNECTION FORCE

The collet and chuck are both released when the release button is depressed for effortless tubing release.

### SPECIALLY DESIGNED PACKING

For positive tube sealing while the fitting is under pressure which allows even polyurethane tubing to be used. In addition, it allows for less resistance when tubing is inserted.



**TUBING**

Available for inch size tubing of: 1/8", 3/32", 3/16", 1/4", 5/16", 3/8" and 1/2" and metric sizes of: 3, 2, 4, 6, 8, 10, 12 and 16 mm

### BODY IS MADE FROM A TOUGH PBT MATERIAL

For improved resistance to breakage

### MANY AVAILABLE THREAD TYPES

They include: NPT, UNF, Rc(PT), and metric straight threads

### STUD ALLOWS ROTATION OF THE BODY

This is so the body can be rotated during installation for confined areas.

PLASTIC TUBING	PART #	SIZE	PRICE P/FT.
	PH01	1/8"	0.25
	PH02	5/32"	0.30
	PH03	1/4"	0.35
	PH04	3/8"	0.80

## OTHER SIZES AVAILABLE. PLEASE INQUIRE

MALE CONNECTORS			
PART No.	TUBE SIZE	N.P.T.	PRICE
KQH03-34S	5/32"	1/8"	2.03
KQH07-34S	1/4"	1/8"	2.65
KQH07-35S	1/4"	1/4"	2.65
KQH11-35S	3/8"	1/4"	4.05
KQH11-36S	3/8"	3/8"	4.18



STRAIGHT UNION			
PART No.	TUBE SIZE	N.P.T.	PRICE
KQH03-00	5/32"	--	2.65
KQH07-00	1/4"	--	3.86
KQH11-00	3/8"	--	3.72



UNION TEE			
PART No.	TUBE SIZE	N.P.T.	PRICE
KQT03-00	5/32"	--	3.71
KQT07-00	1/4"	--	4.43
KQT11-00	3/8"	--	6.40



MALE ELBOW			
PART No.	TUBE SIZE	N.P.T.	PRICE
KQL03-34S	5/32"	1/8"	2.75
KQL07-34S	1/4"	1/8"	3.03
KQL07-35S	1/4"	1/4"	3.31
KQL11-35S	3/8"	1/4"	4.59
KQL11-36S	3/8"	3/8"	5.27



BRANCH TEE			
PART No.	TUBE SIZE	N.P.T.	PRICE
KQT03-34S	5/32"	1/8"	4.08
KQT07-34S	1/4"	1/8"	4.46
KQT07-35S	1/4"	1/4"	4.46
KQT11-35S	3/8"	1/4"	6.55
KQT11-36S	3/8"	3/8"	7.95



MALE RUN TEE			
PART No.	TUBE SIZE	N.P.T.	PRICE
KQY03-34S	5/32"	1/8"	4.12
KQY07-34S	1/4"	1/8"	4.33
KQY07-35S	1/4"	1/4"	4.59
KQY11-35S	3/8"	1/4"	6.55
KQY11-36S	3/8"	3/8"	7.53

