

RATCHETS & ADAPTORS

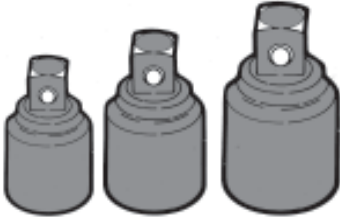
3PC. IMPACT REDUCER SET

3/8" Female
1/4" Male

1/2" Female
3/8" Male

3/4" Female
1/2" Male

\$6.95



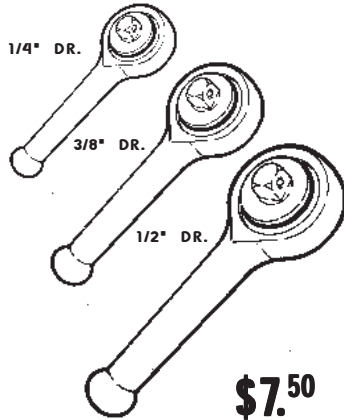
3PC. STUBBY RATCHET SET

1/4" DR.

3/8" DR.

1/2" DR.

\$7.50



DROP FORGED HARDENED & TEMPERED REVERSIBLE RATCHETS

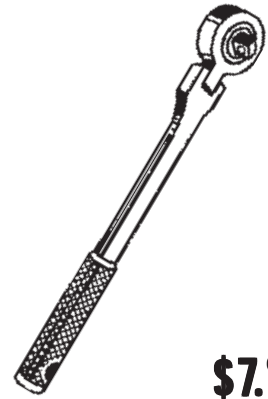
1/4"dr. **\$3.50**
3/8"dr. **4.95**
1/2"dr. **5.95**



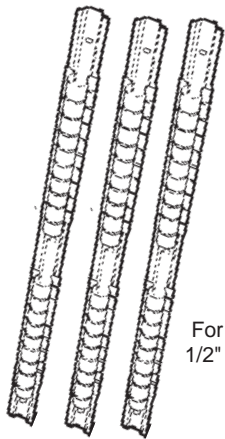
3PC. FLEX RATCHET HANDLE SET

1/4", 3/8", 1/2", DR.

\$7.95



3PC. SOCKET HOLDER SET



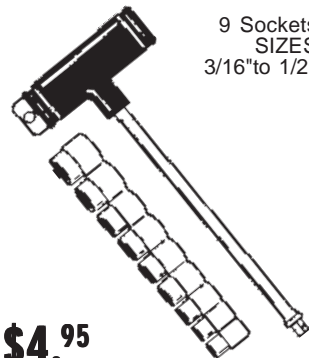
For 1/4", 3/8",
1/2" dr. Socket

\$1.98

22PC. T-BAR SOCKET SCREWDRIVER SET

11 Bits, Slotted - Phillips - Star

9 Sockets
SIZES
3/16" to 1/2"



\$4.95

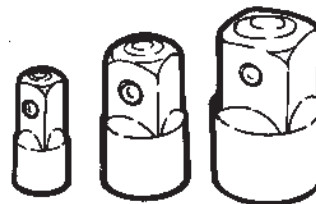
3PC. STANDARD SOCKET ADAPTER SET

1/4" Female
3/8" Male

3/8" Female
1/2" Male

1/2" Female
3/4" Male

\$3.95



MICROMETER ADJ TORQUE WRENCHES

CHROME PLATED

1/2" 10-150 ft./lb.

\$20.95

3/8" 120-960 in./lb.

\$17.95

1/2" KIT IN A CASE

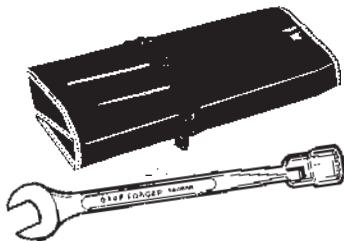
With 4" Ext. Bar & 1/2" to 3/8" Adaptor. 10-150 ft./lb.

\$39.95



6PC. COMBINATION FLEX SOCKET & OPEN END WRENCH SET

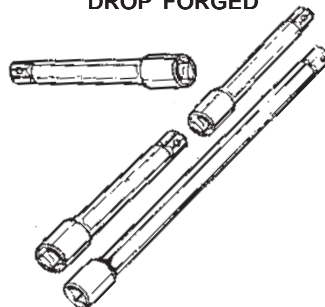
Drop forged steel, Triple chrome plated heat treated socket & wrench 3/8", 7/16", 1/2", 9/16", 5/8", 3/4".



\$14.95

4PC. EXTENSION BAR SETS

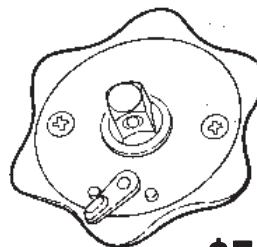
CHROME PLATED, DROP FORGED



| | |
|---|---------------|
| 3/8" Dr. SET 3", 5", 8" & 10" | \$4.95 |
| 1/4" Dr. SET 3", 4", 6" & 9" | 3.95 |
| 1/2" Dr. SET 3", 5", 8" & 10" | 5.95 |
| X-LONG 1/2" Dr. SET 15", 18", 24" & 30" | 15.95 |

3/8" DR. PALM STYLE RATCHET

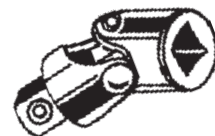
- Drop Forged Steel
- Heat Treated & Chrome Plated
- Contoured Design for sure grip & maximum torque



\$7.95

3PC. IMPACT UNIVERSAL JOINT SET

1/2", 3/8", 1/4" • Heat treated Cold forged steel



\$6.95

3PC. STANDARD UNIVERSAL JOINT SET



\$5.95

732

INDUSTRIAL PIPE & STEEL CO.
9936 Rush Street
South El Monte, CA 91733



NATIONWIDE 800-423-4981
Local Number (626) 443-9467
Fax Number (626) 579-4602

732